

## FDGE11 Outdoor Epoxy Resin Vacuum Casting Type Discharge Coil

### Summary

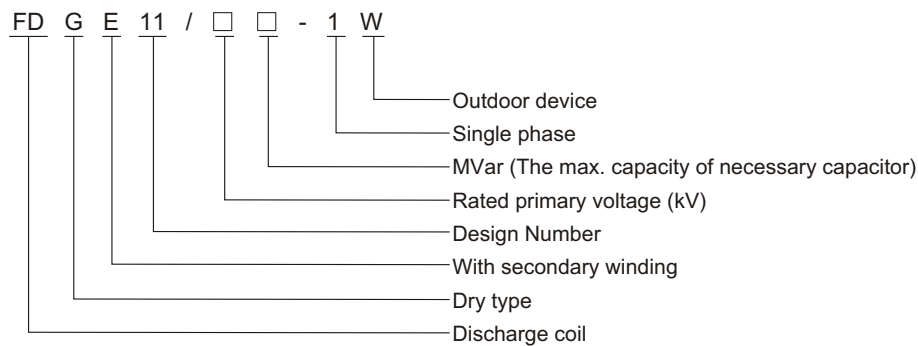
The FDGE11 semi-cast type discharge coil is vacuum cast in epoxy resin. The products are used for single-phase electric power systems of 50/60Hz rated frequency and rated 12kV rated voltage, parallel connecting with high voltage capacitor group. The product can reduce the residual voltage of capacitor group to a safe voltage in 5 seconds after capacitor group is cut off from the electric system. When the coil is working normally, the secondary winding can act as voltage indicator. FDGE11 may be custom manufactured to combine residual voltage winding for protecting relay purpose. The products are used for outdoor mounting.



### Ambient condition

1. Ambient temperature:  $-5^{\circ}\text{C} \sim 40^{\circ}\text{C}$ ;
2. Altitude:  $\leq 1000\text{m}$ ;
3. Relative humidity: below 90% in a period of a month, below 95% in a period of 24 hours.
4. Dry, outdoor conditions of installation, free from dust, smoke, corrosive gases, vapors or salt.
5. No serious chattering of bump for installation environment.

### Model



### Technical specification

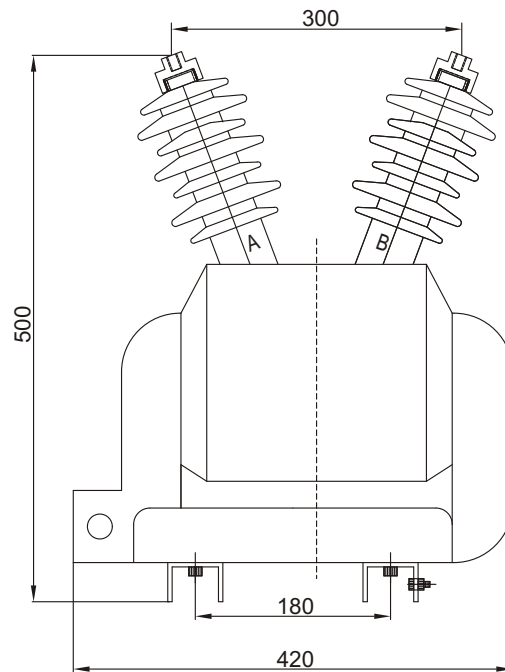
1. The products are in accordance with standard DL/T653-1998 "specification of discharge coils for high voltage parallel connection capacitor for order".
2. Rated power factor of burden: 0.8 (lagging).
3. Surface creepage distance: 300mm and above.
4. The following table shows standard values for this model.

Type	Rated voltage ratio (V)	Accuracy class and rated secondary output (VA)			Discharge capacity (Mvar)	Insulation level (kV)
		0.2	0.5	1		
FDGE11/6.6/√3-1.7-1W	6.6/3/0.1	20	50	100	1.7	7.2/32/60
FDGE11/7.2/√3-1.7-1W	7.2/3/0.1				1.7	
FDGE11/11/√3-1.7-1W	11/√3/0.1				1.7	12/42/75
FDGE11/11/√3-2.5-1W					2.5	
FDGE11/11/√3-3.4-1W					3.4	
FDGE11/12/√3-1.7-1W	12/√3/0.1				1.7	12/42/75
FDGE11/12/√3-2.5-1W		2.5				
FDGE11/12/√3-3.4-1W		3.4				

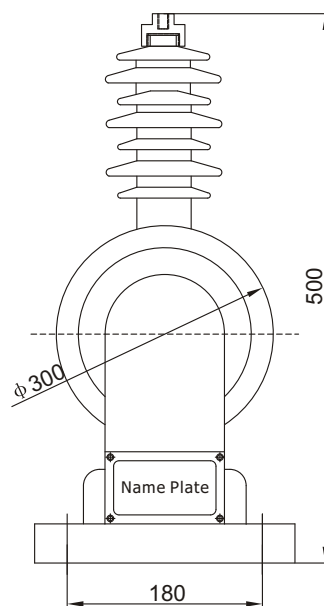
Note: the product may be custom manufactured to non-standard requirements.

**Structure feature**

Products of this model are in iron core semi-casting type structure. Its body is vacuum cast in epoxy resin and encapsulated in iron barrel. The products are excellent in high / low temperature resistance, electricity-arc and UV ray resistance, and condensation-proof, long life expectancy, reliable and cost-efficient. They are small, light, low in no-load potential, excellent in over voltage resistance, convenient in installation, maintenance free. It is particularly suitable for outdoor mounting. It is alternative to oil-immersed type discharge coil.

**Outline dimension**

Front view



Side view