

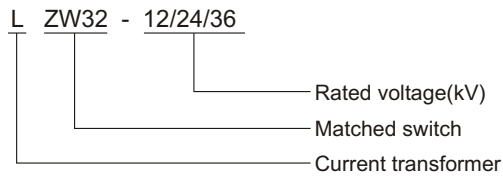
LZW32-12/24/36 Current Transformer

Summary

The outdoor type LZW32 current transformers are made of silicon rubber or epoxy resin. They are designed for electric measurement and relay protection purposes.



Model

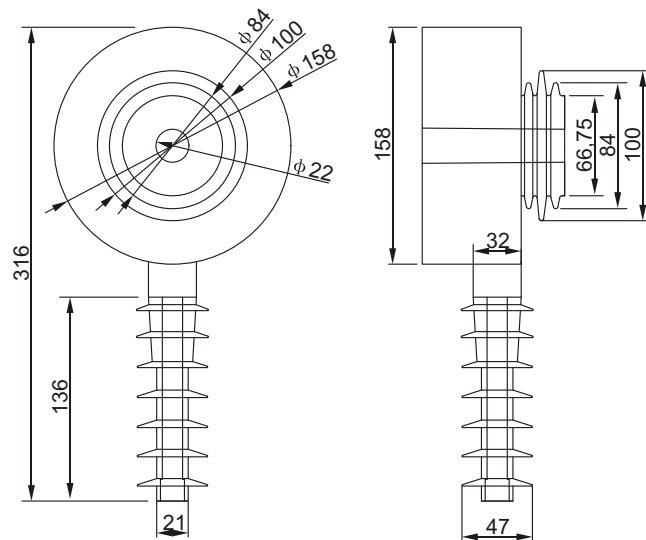


Technical Data

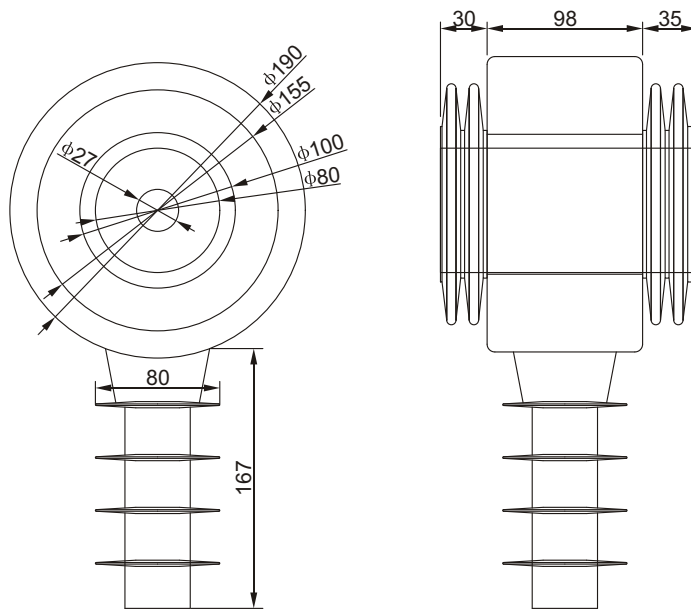
1. Insulation level:
12kV: 12/42/75kV; 24kV: 24/50/125kV; 36kV: 36/70/170kV;
2. Standard: IEC60044-1;
3. Rated frequency: 50Hz or 60Hz;
4. Rated secondary current: 5 or 1A;

Current ratio(A)	Rated secondary output(VA)		Short-time thermal current(KA/S)	Dynamic Current(KA)
	5P10	10P10		
50-100	10	10	9	22.5
75-150			13.5	33.7
100-200	15	15	18	45
150-300			27	67.5
100-400			36	90
400-630			50	125

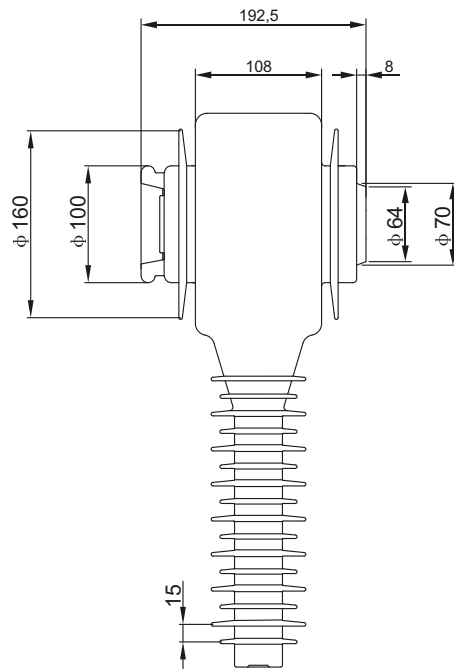
Outline Dimension



LZW32-12kV (epoxy resin)



LZW32-24kV (silicon rubber)



LZW32-36kV (epoxy resin)