

DDS3 (LCD) Single-phase Static Energy Meter

Summary

DDS3(LCD) single-phase static energy meter adopts special large scale integrated circuit and SMT technology with LCD display. The data is able to be saved when the power is failure. It is one of the newest energy measuring products in the world. It meets all technical requirements of IEC62053: class 1 and class 2 static alternating active watt-hour meter.



Technical specification

1. Accuracy class: 1.0 class, 2.0 class;
2. Conformed standards: IEC62053 & GB/T 17215-2002;
3. Normal working humidity: -25°C~+45°C;
4. Limit working temperature: -40°C~+70°C;
5. Relative humidity: annual average $\leq 80\%$;
6. Voltage circuit power consumption $\leq 1.0W(6VA)$;
7. Current circuit power consumption $\leq 1.0VA$;
8. Life: 10 years.

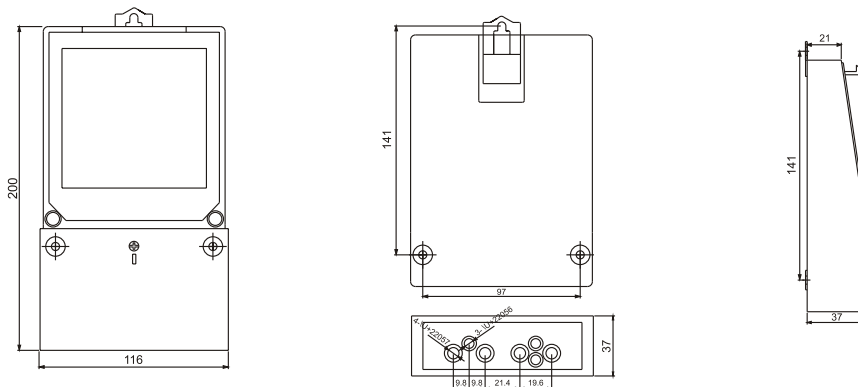
Model

Model	Rated frequency(Hz)	Rated current(A)	Meter constant(imp/kwh)
DDS3(220)	50	1.5(6) 2.5(10) 5(20) 10(40) 15(60)	12800, 6400, 3200, 1600

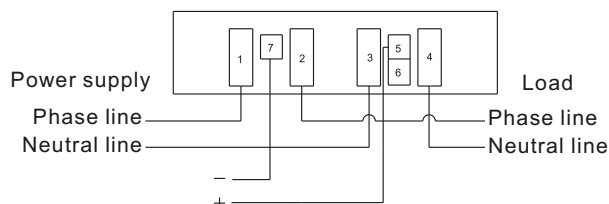
Product function

1. Measure the positive and negative AC reactive power, reverse electricity measured as the positive.
2. Adopting the photoelectric isolation to output the no-power impulse signal, the shape of the wave is quadrate, and the width of output impulse is $80ms \pm 20ms$, use the LED as the indicator.
3. Small in size, light in weight, high in precision, wide load and easy for installation.

Outline dimension and Wiring diagram



Diag 1. Outline dimension



Diag 2. Wiring diagram